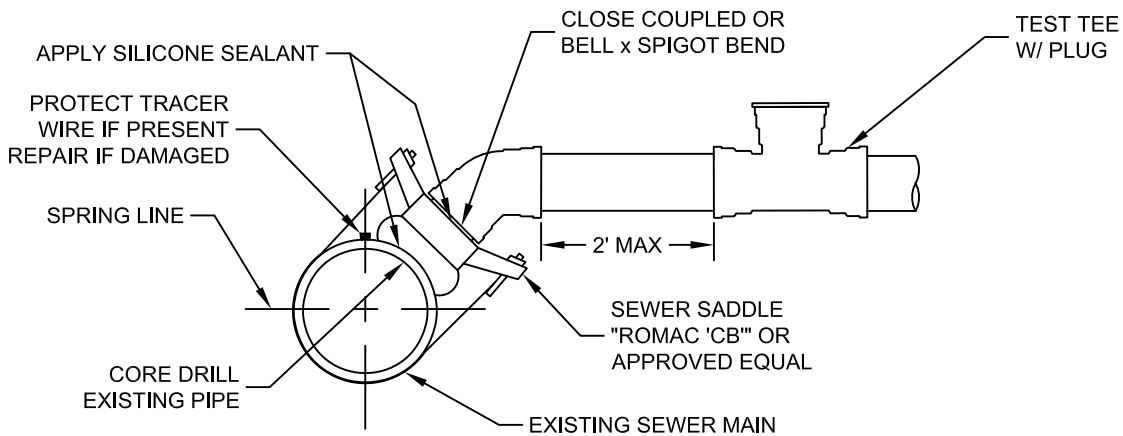


PLAN



PROFILE

NOTES:

1. FOR DETAILED INFORMATION SEE SPECIFICATIONS.
2. LATERAL CONNECTION TO EXISTING HDPE SEWER MAIN LINE SHALL BE ACCOMPLISHED WITH GASKETED ELECTROFUSION SEWER SADDLE.
3. SBWRD INSPECTOR MUST WITNESS CORING AND SADDLE PLACEMENT.
4. IF A ROAD CUT UNDERMINES OR RUNS ADJACENT TO A MANHOLE COLLAR, REPLACEMENT OF THE COLLAR MAY BE NECESSARY.

