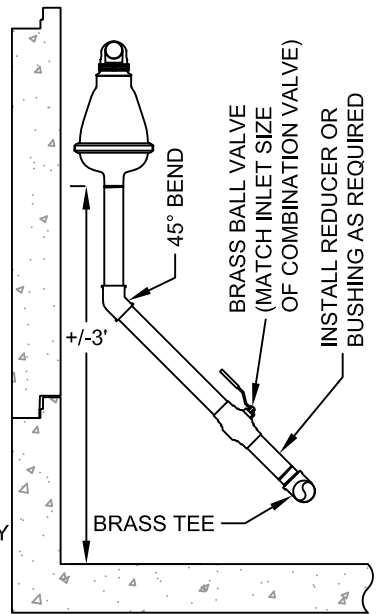


FOR DETAILED MANHOLE INSTALLATION
REFER TO STANDARD DETAIL MH-01



- NOTES:
1. ALL PIPE AND FITTINGS SHALL BE THREADED BRASS.
 2. DIELECTRIC FITTINGS SHALL BE USED AT THE CONNECTION OF ANY BRASS PIPE, VALVE OR FITTING TO THE CAST IRON AIR RELEASE VALVE.
 3. SECURE STAINLESS STEEL SUPPORT BASE PLATES TO FLOOR WITH 1/4" STAINLESS STEEL EPOXY ANCHORS.
 4. ALL CONCRETE SURFACES TO HAVE MANHOLE INTERIOR COATING.
 5. CABLE SHALL BE OF SUFFICIENT LENGTH TO ALLOW THE ODOR CONTROL UNIT TO BE PLACED ON THE SURROUNDING SURFACE WITHOUT THE NEED TO DISCONNECT THE CLAMP.