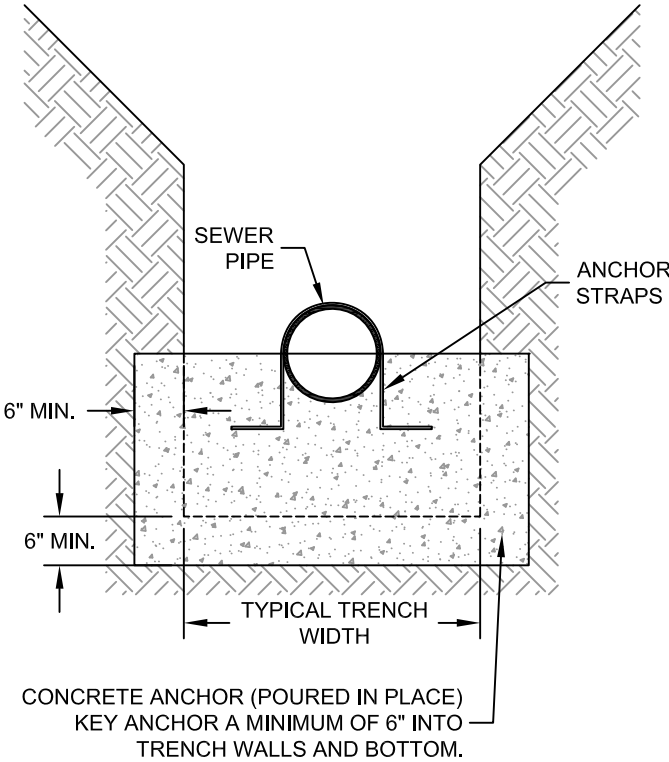
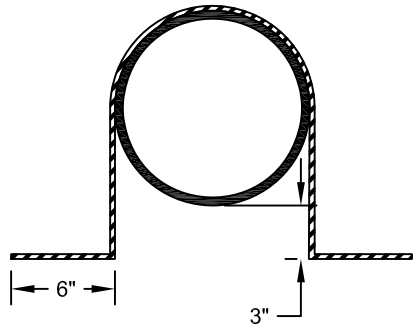


NOTE: FOR ANCHORS ON VERTICAL PIPE BENDS, PLACE ONE STRAP IMMEDIATELY ABOVE BEND AND ONE STRAP IMMEDIATELY BELOW BEND.

**PROFILE**



**SECTION**



**ANCHOR STRAPS  
DETAIL**

**ANCHOR SPACING  
CENTER TO CENTER**

SLOPES 33% TO 50%      26'-0" MAXIMUM  
 SLOPES 50% TO 100%      13'-0" MAXIMUM  
 SLOPES GREATER THAN 100% NOT ALLOWED

