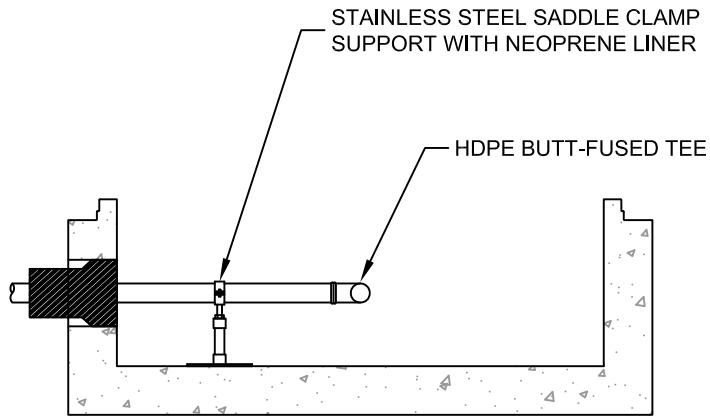
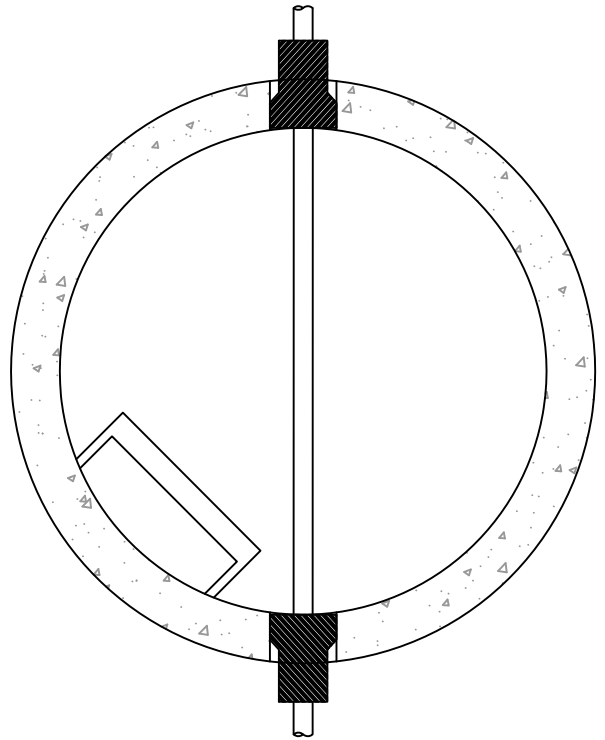
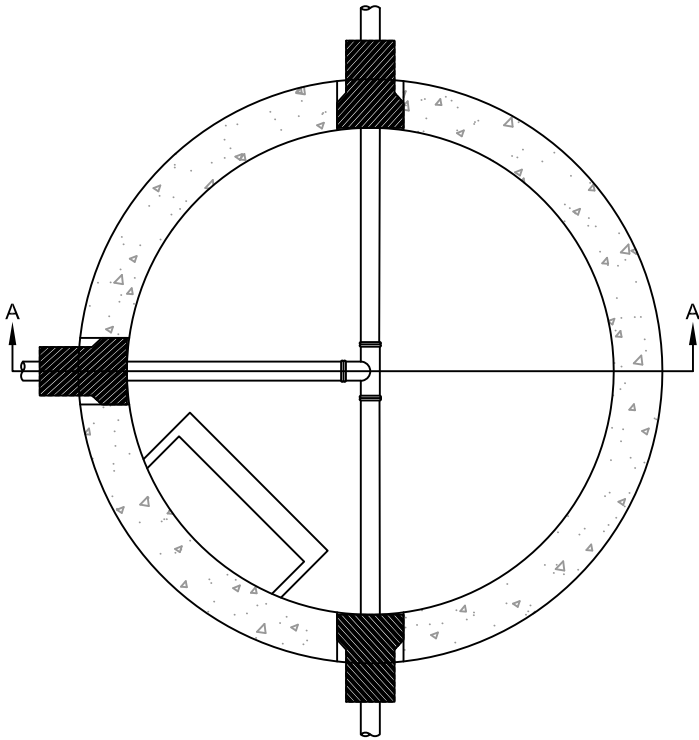


3-WAY JUNCTION MANHOLE

2-WAY JUNCTION MANHOLE



SECTION AA

