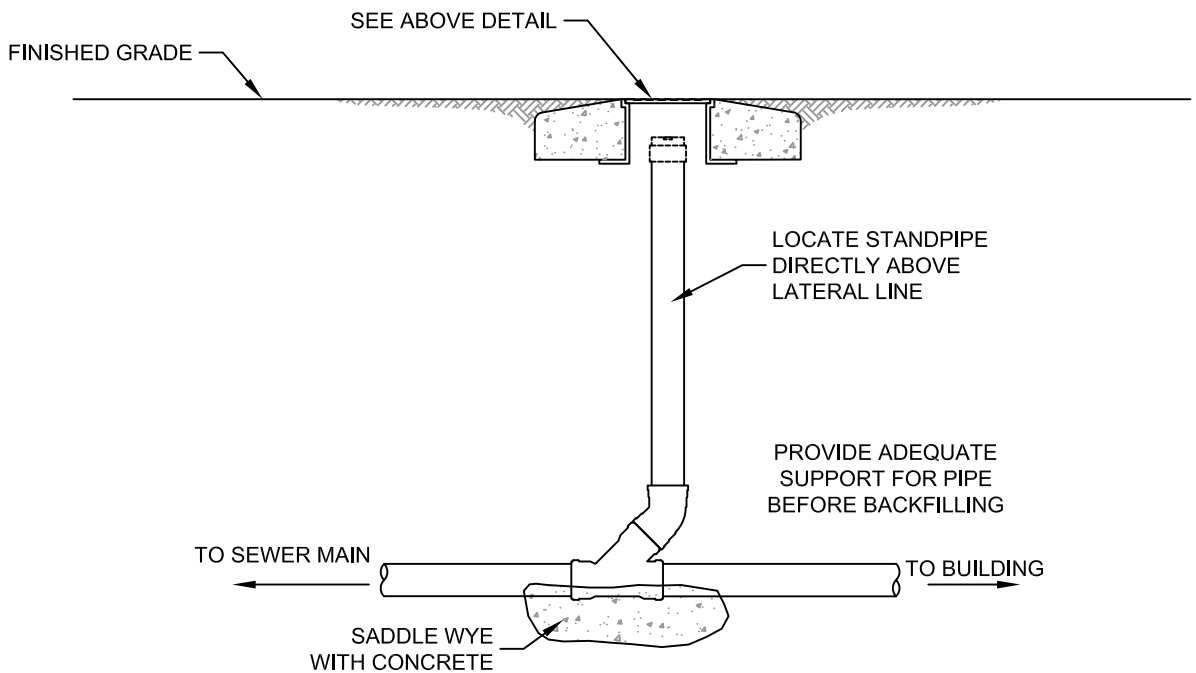


## CLEANOUT CAP ASSEMBLY WITH PROTECTIVE BOX



## SANITARY SEWER CLEANOUT

FOR LATERAL USING HDPE PIPE:

1. STANDPIPE SHALL ALSO BE HDPE.
2. 45° BEND SHALL BE 3 SEGMENT HDPE BEND.
3. WYE SHALL BE PREFABRICATED (NOT MOLDED) WYE.
4. ALL JOINTS SHALL BE FUSION WELDED.



**Snyderville Basin Water  
Reclamation District**

**CLEANOUT AND PROTECTIVE BOX IN UN-  
PAVED TRAFFIC AREAS (INCL. SKI RUNS)**

STANDARD DETAIL

**LAT-11**

Revision Date: 2/22/16