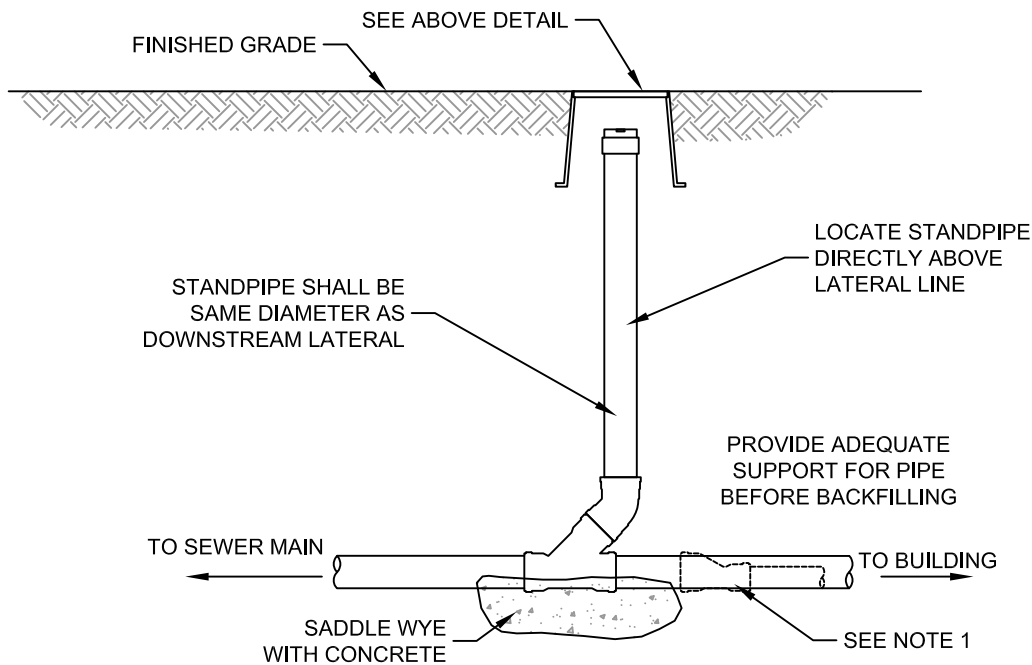


**CLEANOUT CAP ASSEMBLY  
WITH PROTECTIVE BOX**



**SANITARY SEWER CLEANOUT**

**NOTES:**

1. FOR TRANSITION FROM 4" (UPSTREAM) TO 6" (DOWNSTREAM) LATERALS, TRANSITION SHALL OCCUR AT A CLEANOUT AND SHALL BE ACCOMPLISHED WITH AN ECCENTRIC REDUCER ON THE UPSTREAM SIDE OF THE WYE
2. FOR LATERALS USING HDPE PIPE:
  - 45° BEND SHALL BE 3 SEGMENT HDPE BEND
  - WYE SHALL BE PREFABRICATED (NOT MOLDED) WYE
  - ALL JOINTS SHALL BE FUSION WELDED

