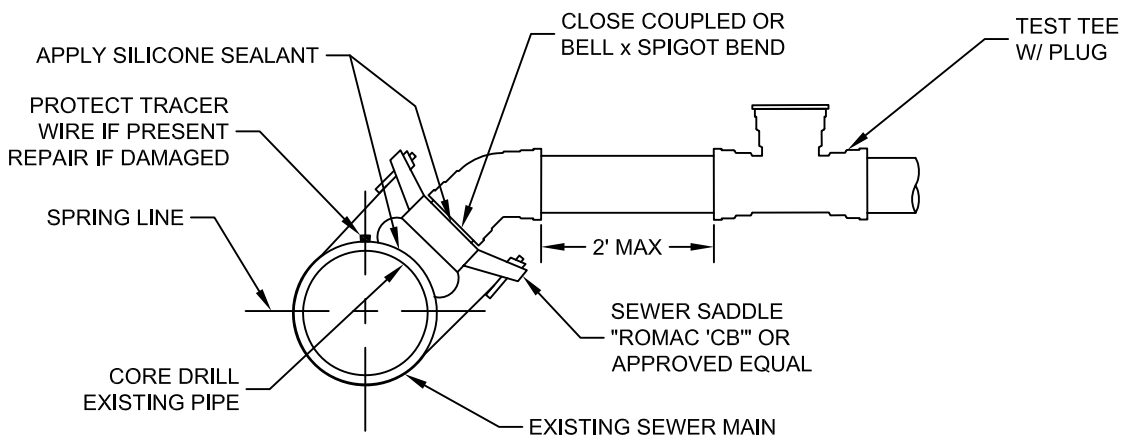


PLAN



PROFILE

NOTES:

1. FOR DETAILED INFORMATION SEE SPECIFICATIONS.
2. LATERAL CONNECTION TO EXISTING HDPE SEWER MAIN LINE SHALL BE ACCOMPLISHED WITH GASKETED ELECTROFUSION SEWER SADDLE.
3. SBWRD INSPECTOR MUST BE ON-SITE DURING CORING AND SADDLE PLACEMENT.



**Snyderville Basin Water
Reclamation District**

**LATERAL CONNECTION
TO EXISTING SEWER MAIN**

STANDARD DETAIL

LAT-04

Revision Date: 2/22/16