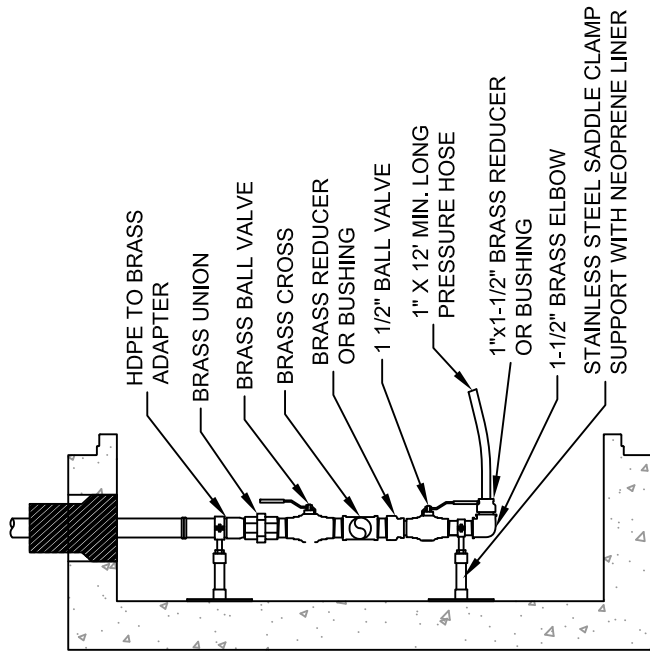
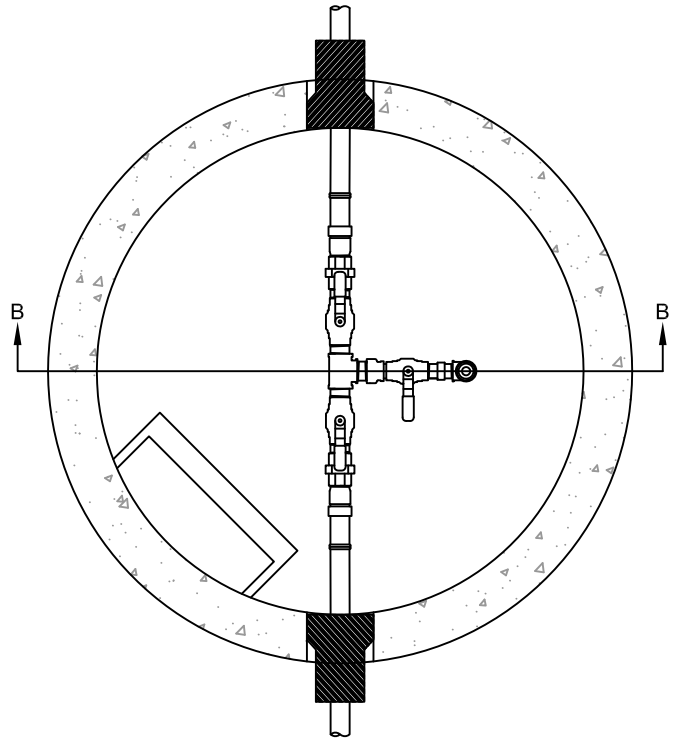
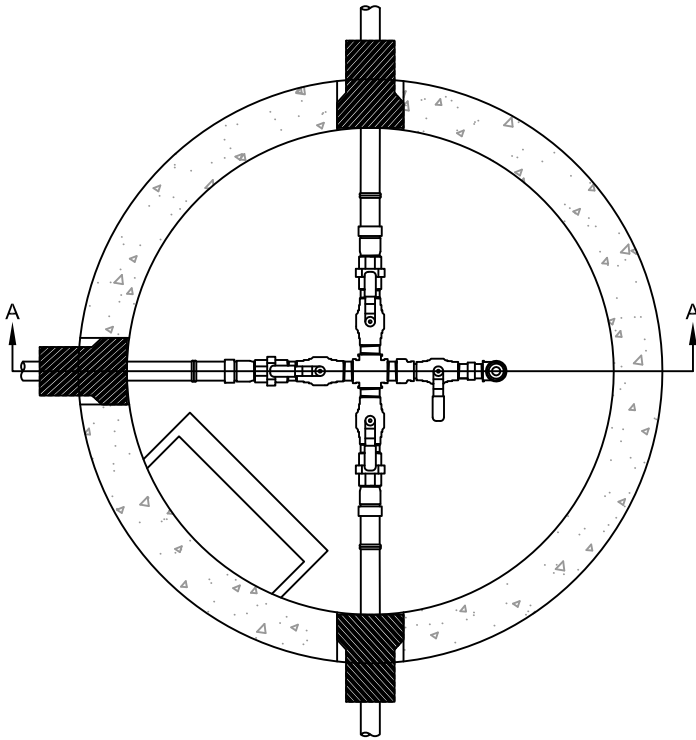
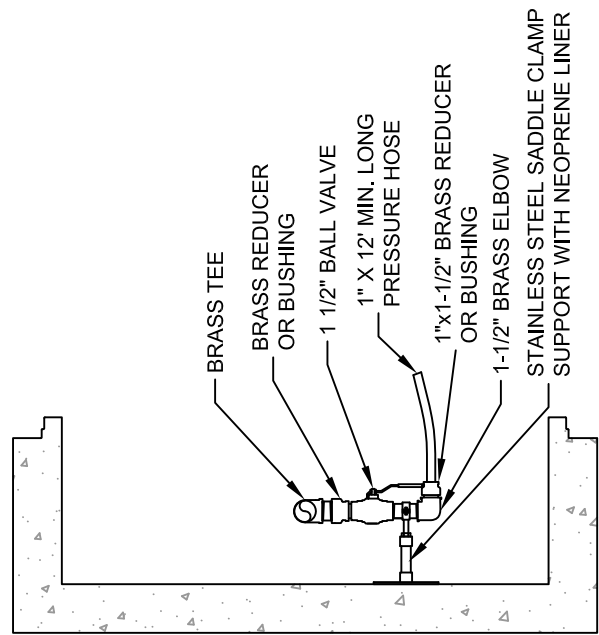


### 3-WAY FLUSHING CONNECTION

### 2-WAY FLUSHING CONNECTION



SECTION AA



SECTION BB



Snyder Basin Water  
Reclamation District

## LOW PRESSURE FLUSHING CONNECTION

STANDARD DETAIL  
LP-01B

Revision Date: 5/17/10